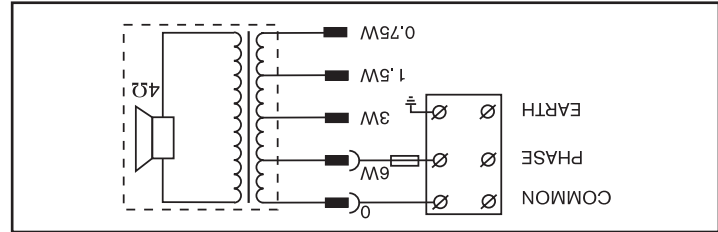


Circuit diagram

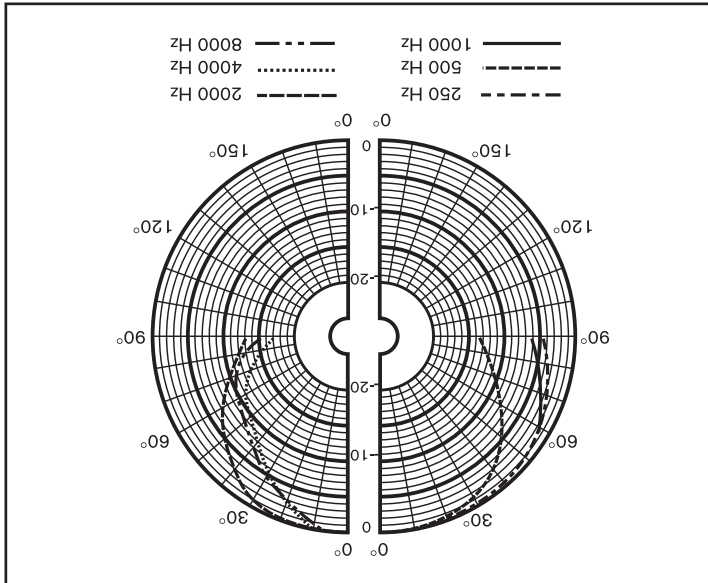


Maximum power  
 Rated power (FHC)  
 Sound pressure level at 6 W/1 W  
 (at 1 kHz, 1 m)  
 97/89 dB (SPL)  
 Effective frequency range (-10 dB)  
 80 Hz to 18 kHz  
 Opening angle  
 (at 1 kHz/4 kHz, -6 dB)  
 160°/65°  
 Rated voltage  
 100 V  
 Rated impedance  
 -25 to +55 °C (-13 to 131 °F)  
 Safety  
 acc. to EN 60065  
 Ball-proof  
 acc. to DIN 18032-3  
 3-pole screw connector  
 Dimensions (dia. x max. depth)  
 199 x 70.5 mm (7.8 x 2.8 in)  
 Mounting cut-out dia.  
 165 mm (6.5 in)  
 Colour  
 White (RAL 9010)  
 Weight  
 720 g (1.6 lb)

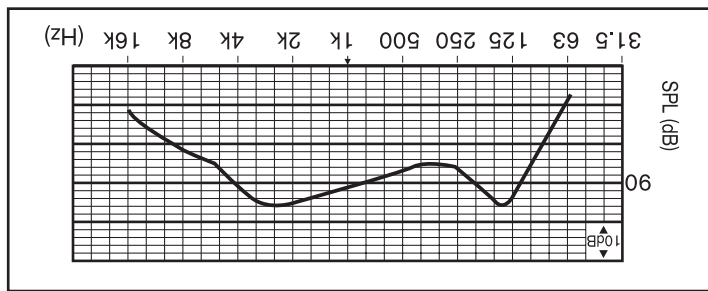
Maximum power  
 Rated power (FHC)  
 Sound pressure level at 6 W/1 W  
 (at 1 kHz, 1 m)  
 97/89 dB (SPL)  
 Effective frequency range (-10 dB)  
 80 Hz to 18 kHz  
 Opening angle  
 (at 1 kHz/4 kHz, -6 dB)  
 160°/65°  
 Rated voltage  
 100 V  
 Rated impedance  
 -25 to +55 °C (-13 to 131 °F)  
 Safety  
 acc. to EN 60065  
 Ball-proof  
 acc. to DIN 18032-3  
 3-pole screw connector  
 Dimensions (dia. x max. depth)  
 147 x 87 mm (5.8 x 3.4 in)  
 Mounting cut-out dia.  
 147 x 87 mm (5.8 x 3.4 in)  
 Colour  
 White (RAL 9010)  
 Weight  
 360 g (0.8 lb)

TECHNICAL PERFORMANCE DATA ACC. TO IEC 268-5

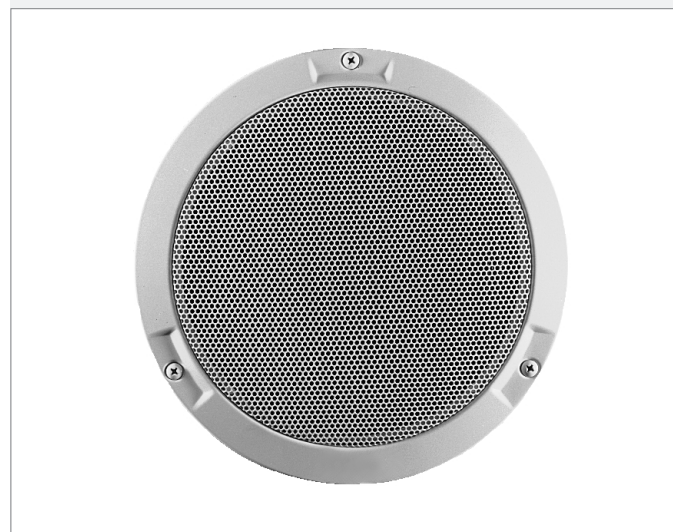
Polar diagram (measured with pink noise)



Frequency response

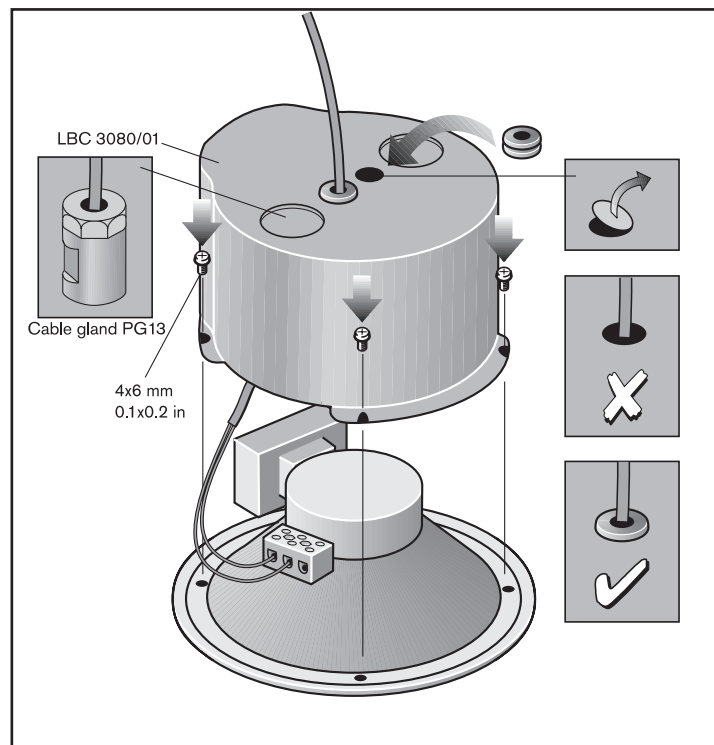


Loudspeakers

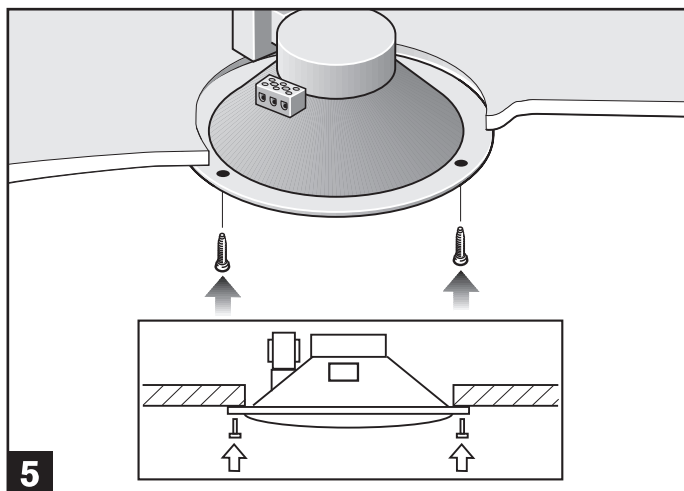
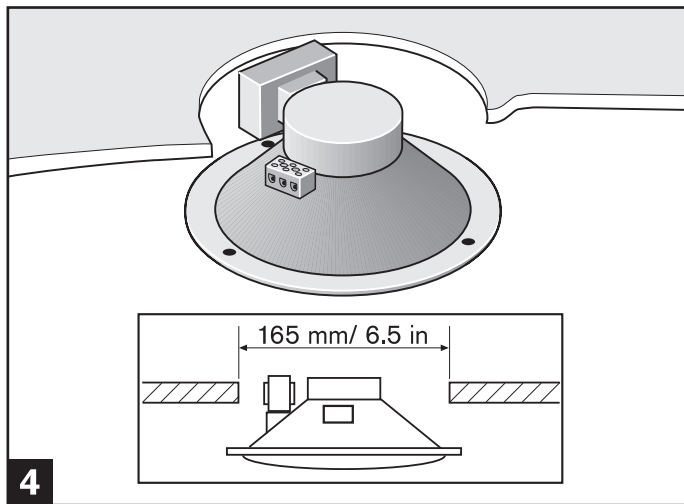
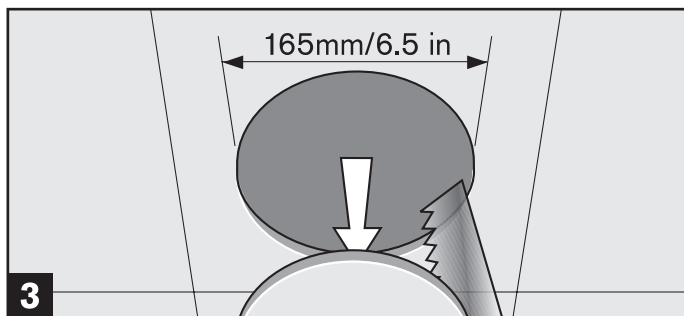
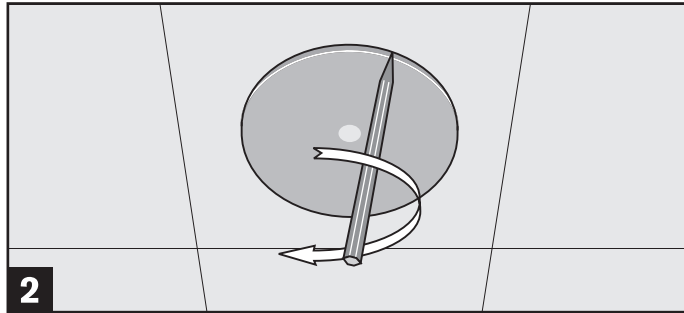
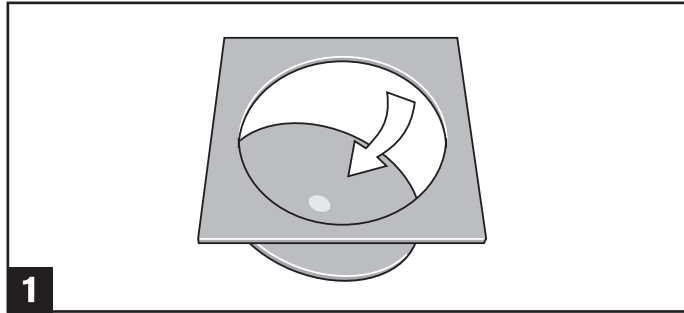


Security Systems

Instructions for use  
 EN | LBC 3087/41



Mounting



Connection

